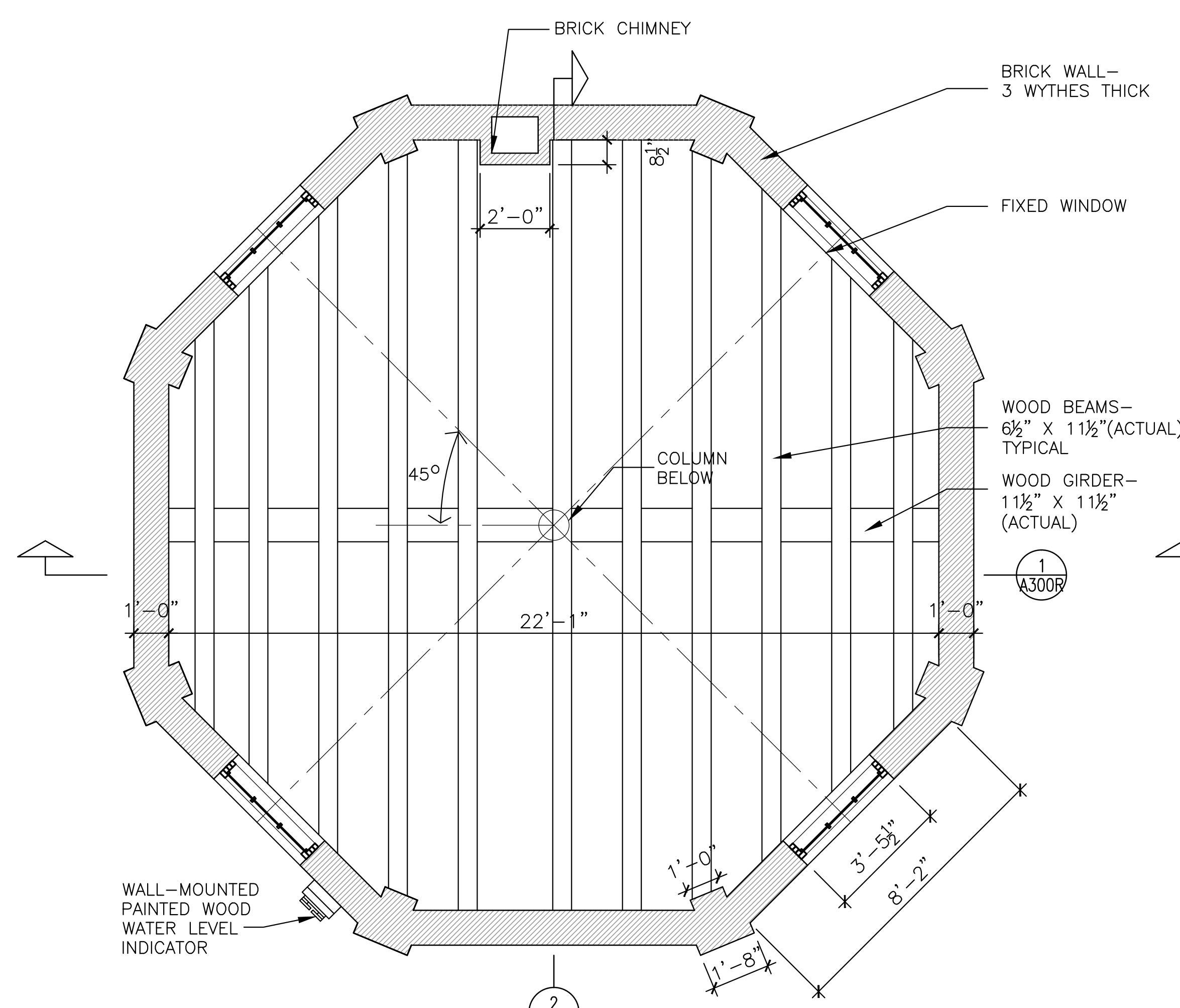
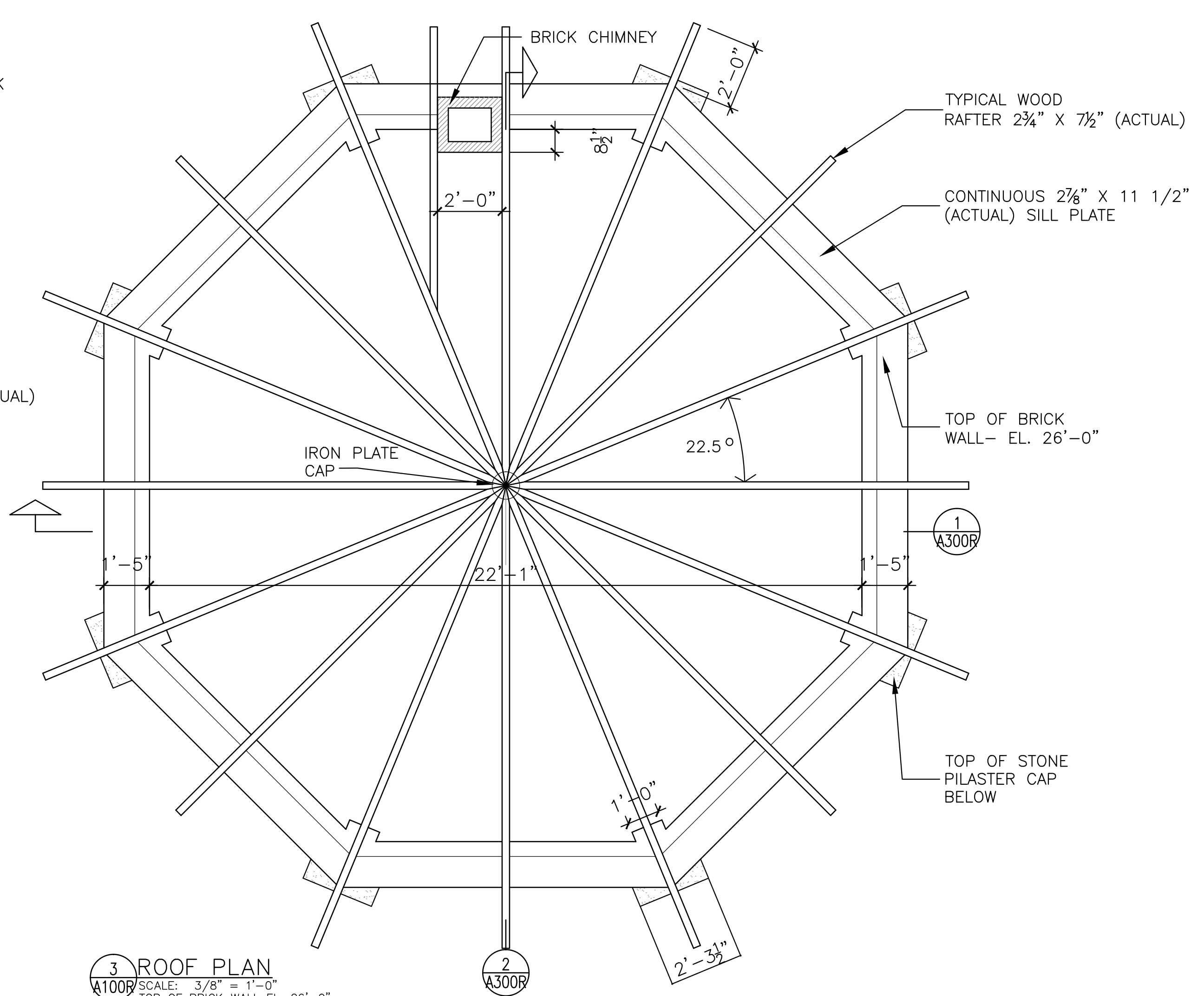


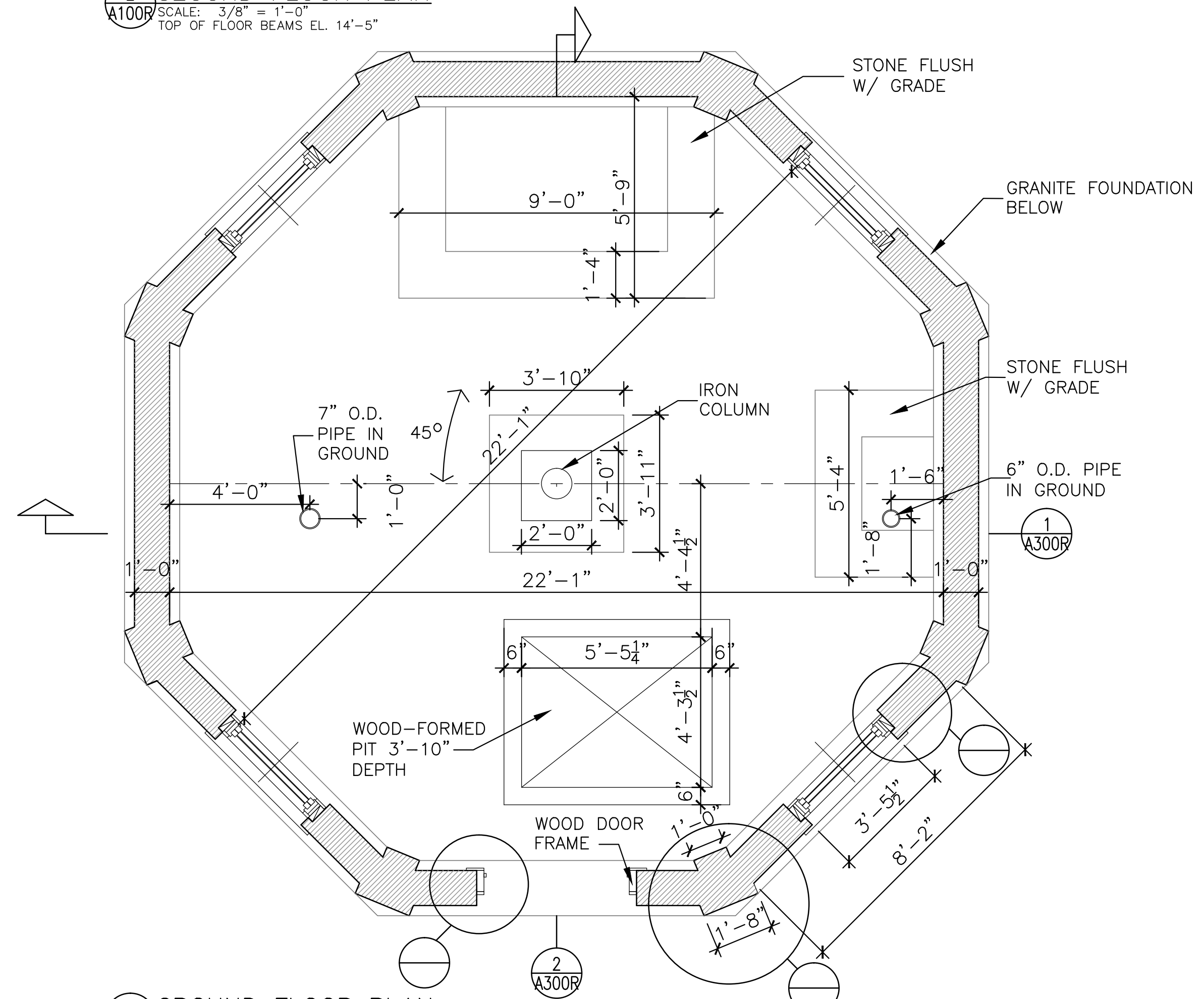
ISSUED TO	DATE
OWNER	07/22/11



2 SECOND FLOOR PLAN
 SCALE: 3/8" = 1'-0"
 TOP OF FLOOR BEAMS EL. 14'-5"

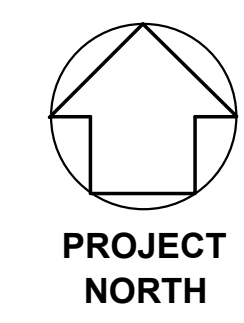


3 ROOF PLAN
 SCALE: 3/8" = 1'-0"
 TOP OF BRICK WALL EL. 26'-0"



1 GROUND FLOOR PLAN
 SCALE: 3/8" = 1'-0"
 TOP OF STONE FOUNDATION EL. 0'-0"

DETAIL NUMBER
 DETAIL SHEET
 DETAIL SYMBOL



RANDALL SIRESS ARCHITECT LLC
 WILLIAM MACK ARCHITECT AIA
 GUILFORD, CONNECTICUT

RENOVATIONS TO RAILROAD WATER TOWER
 GUILFORD PRESERVATION ALLIANCE
 GUILFORD, CONNECTICUT

RECONSTRUCTED
 FLOOR PLANS
 SCALE: 3/8" = 1'-0"

DATE: 04/24/12
 PROJECT NUMBER: 1102
 SHEET NUMBER:

A.100R